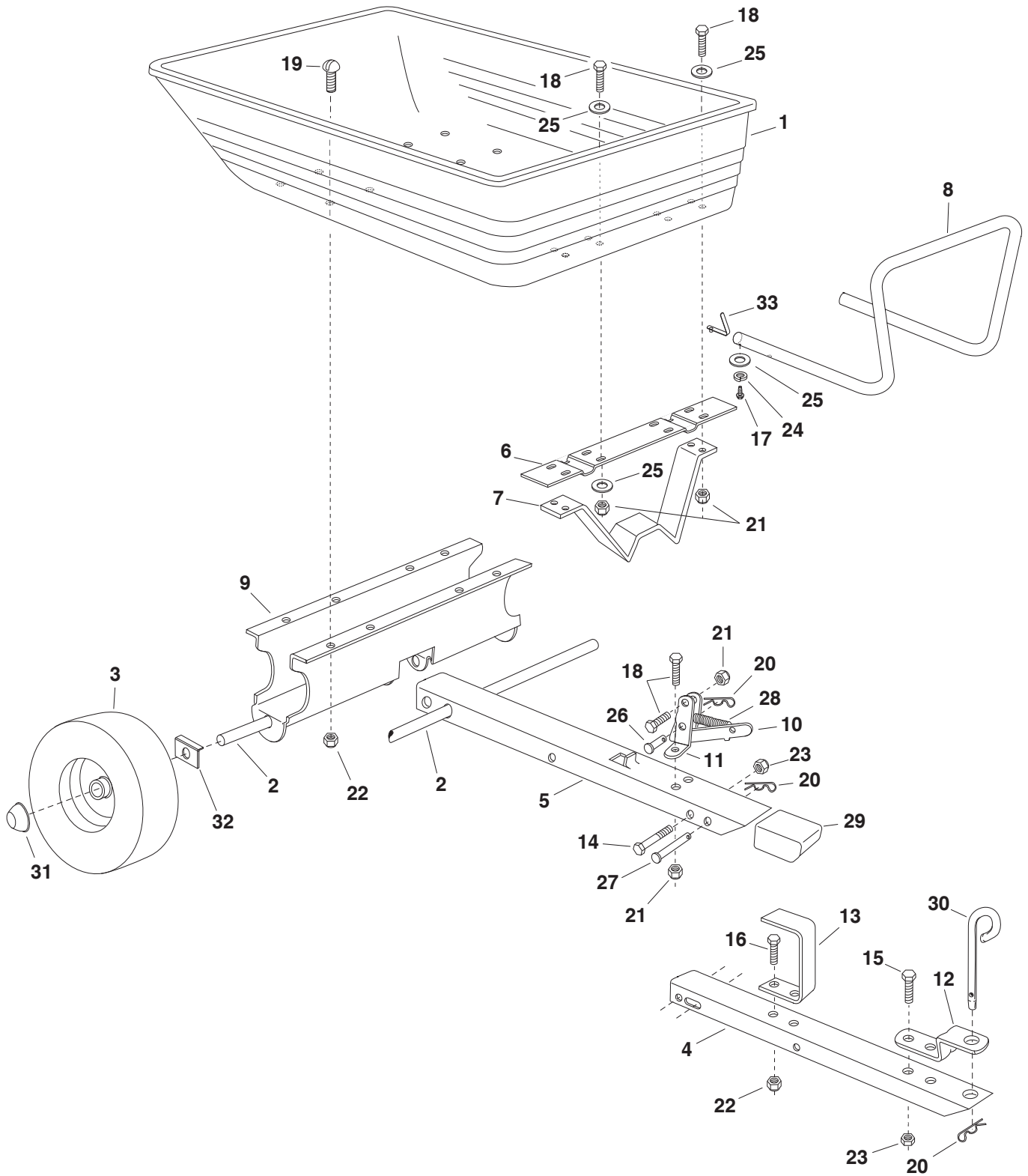


45-03451-062, 45-03451-085, 45-03451-997



**45-03451-062, 45-03451-085, 45-03451-997**

REF. NO.	PART NO.	QTY	DESCRIPTION
1	40472	1	Poly Tray
2	24908	1	Axle
3	48497	2	Wheel
4	24392	1	Tongue, Front
5	24391	1	Tongue, Rear
6	25274	1	Latch Stand Plate
7	23297	1	Latch Stand Bracket
8	48955	1	Handle Tube
9	24527	1	Wheel Support
10	62020	1	Latch Lock
11	23470	2	Bracket, Latch Mount
12	23014	1	Hitch Bracket
13	24390	1	Leg Stand Bracket
14	43036	1	Hex Bolt, 3/8-16 x 4"
15	43001	2	Hex Bolt, 3/8-16 x 1"
16	43063	2	Hex Bolt, 5/16-18 x 1"
17	48840	2	Screw, 1/4-20 x 1/2"
18	43661	11	Hex Bolt, 1/4-20 x 1"
19	43814	8	Slotted Truss Head Bolt, 5/16-18 x 3/4"
20	43343	3	Hairpin, Cotter 1/8"
21	47189	11	Nylock Nut, 1/4-20
22	47810	10	Nylock Nut, 5/16-18
23	HA21362	3	Nylock Nut, 3/8-16
24	43177	2	Lock Washer, 1/4"
25	43088	14	Flat Washer, 1/4"
26	45091	1	Clevis Pin, 3/8" x 1"
27	47029	1	Clevis Pin, 3/8" x 4"
28	43000	1	Extension Spring
29	47038	1	Plastic Cap
30	23353	1	Hitch Pin
31	48499	2	Hub Cap
32	25910	2	Axle Clip
33	49166	2	Detent Button
	40462	1	Owner's Manual